

Nord Technology

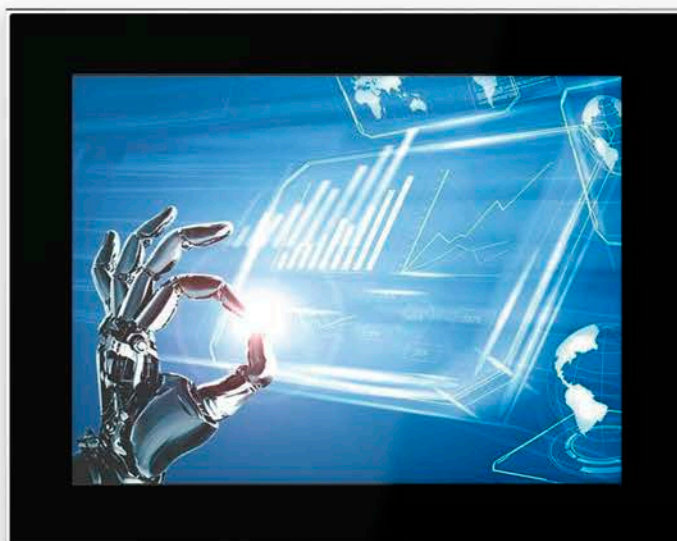
Reseller of Taicenn hardware in Denmark

NORD TECHNOLOGY CONTACT INFORMATION

World Trade Center
Borupvang 3,
2750 Ballerup,
Denmark

 **Tel.:** +45 70 27 04 15
 **Email:** sales@nord-t.eu
 **Website:** www.nordtechnology.dk

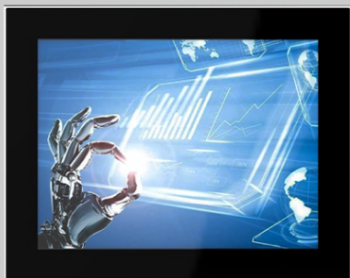
Taicenn TPC-DCS121E1



TPC-DCS121E1

**12.1" XGA Industrial Panel PC with Intel J6412;
Front IP66 rated; 2 GbE, 6 USB, 2 HDMI, 1 COM;
Pcap. Touch; DC 12V; 1 M.2 & 1 Mini-PCIe slots.**

Version: 3.2



Features:

- Modular & Fanless designed, aluminum-magnesium alloy;
- Intel Elkhart Lake J6412, Quad-core 2.0Ghz;
- 12.1" TFT LCD Display, LED Backlit, XGA 1024*768;
- Multi up to 10 points Pcap. touchscreen, EETI controller;
- DC 12V Power input, optional wide DC 9~36V input;
- I/O interfaces: 2 GbE, 3 USB3.0, 3 USB2.0, 1 COM, 2 HDMI, Audio;
- Intel PTTTPM2.0, Support Windows 11 OS;
- Panel mount, VESA 75/100 mount, Front IP66 rated protection;
- Optional 1 M.2 & 1 Mini-PCIe Expansion slots.

Specification

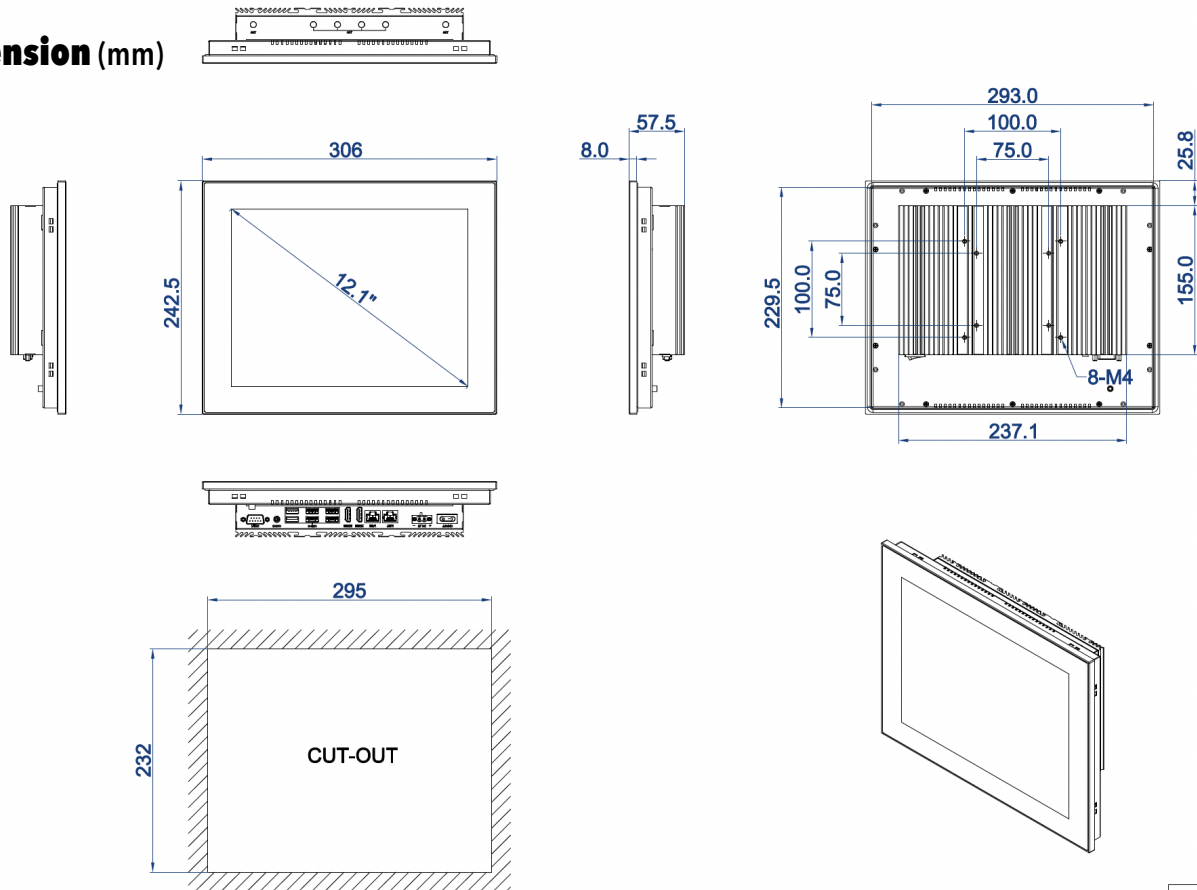


Hardware & System	BIOS	SPI AMI EEI BIOS
	CPU	Intel Elkhart Lake J6412, Quad-core 2.0Ghz, burst to 2.5Ghz, TDP=10W
	Graphic	Intel UHD Graphics for 10 th Gen. Intel Processors
	Memory	SO-DIMM, Support DDR4 2666/2933/3200 Mhz, Max. up to 32GB
	Storage	1* M.2 2280 M-Key (PCIe x2, Gen III NVMe) SSD
	Network	1* Intel i226V & 1* Intel i210AT GbE network chips (Optional wireless 3G/4G/LTE, Wi-Fi/BT, 5G/Wi-Fi 6)
	Audio	On-board Realtek ACL 897 Audio controller
	Expansion	1* M.2 B-Key 3052 slot; 1* Mini-PCIe slot
	Watch dog	0 ~ 256 seconds programmable
	Operating System	Win10, Win11, Linux, Ubuntu
I/O Interface	Ethernet	2 RJ45, 10/100/1000 Mbps
	COM	1* RS232 by default (Optional RS485 or 8* GPIO)
	Audio	Mic-In/Line-out (2 in 1, 3.5mm Jack)
	USB	3* USB3.0, 3* USB2.0
	Display	2* HDMI
	Power	1* 2 Pins, Phenix Terminal
LCD Display	Size/Type	12.1" TFT LCD Display
	Resolution	1024 * 768 (XGA)
	Brightness	350 nits
	Backlit & Lifetime	LED Backlit & 30K hours
	Display Area	245.76* 184.32 (mm)
	View Angle	80/80/80/80
Touchscreen	Type	Projective capacitive touchscreen
	Touch points	Multi points touch, max. up to 10 points
	Durability	>100 000 000 times
	Surface Hardness	MOHS 6H
	Touch Controller	EETI
	Special Treatment	Anti-Fingerprint (AF)
Structure	Structure & Surface	Magnesium-Aluminum alloy, sand blasting, anodized treated
	Cooling System	Large area finned heatsink (Fanless designed)
	Overall Dimension	306.0 * 242.5 * 57.5 (mm)
	Cut-out Dimension	295 * 232 (mm)
	Net Weight	3.5 KG
	Mount Method	Panel mount, VESA 75/100 Mount
Power & Environmental	Operating temp.	-20 ~ + 70 (°C)
	Storage temp.	-30 ~ + 80 (°C)

Humidity	10 ~ 95% @ 10C (No condensation)
Vibration	50 ~ 500 Hz, 1.5G, 0.15mm peak to peak
Shock	10G/Peak (11 ms)
Power input	DC 12V (Optional wide voltage DC 9~36V)
Power consumption	About 30W
Certificate	CE/FCC/ROHS

DIMENSIONAL DRAWING:TPC-DCS121E1/T

Dimension (mm)



DIMENSIONS IN MILLIMETERS

TAICENN
DATE:2022.10.18
REV:A Unit:mm

Ordering information

Part no.	Description		
TPC-DCS121E1	12.1" LCD, XGA 1024*768, Intel J6412, Pcap. Touch, 2 GbE, 3 USB3.0, 3 USB2.0, 2 HDMI, 1 COM, DC 12V, PSU		
TPC-DCS121E1W	12.1" LCD, XGA 1024*768, Intel J6412, Pcap. Touch, 2 GbE, 3 USB3.0, 3 USB2.0, 2 HDMI, 1 COM, DC 9~36V, No PSU by default		
Optional Accessories	Description	Packing List	
Memory	SO-DIMM, DDR4, <u>4GB/8GB/16GB/32GB</u>	Standard TPC-DCS121E1 Panel PC Product	1 set
Storage	SSD: <u>128GB/256GB/512GB/1TB/2TB</u>	PSU (Power Supply)	1 set
Wireless	Wi-Fi Module, with Antenna	Power Cable & Plug	1 set
	Wi-Fi Module with BT Integrated, With Antenna	Panel Mount Clips (Metal)	1 set (8 pieces)
	All Network 4G module, with Antenna		
	5G Network module, with Antenna		
Power Supply	PSU for TPC-DCS121E1W (If needed)		